

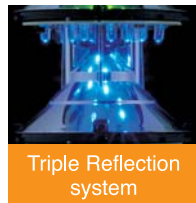
LGE

Signal Tower

- LED** 
- 85dB at 1m**
(FB type)
- Electronic Sound 1**
(FB type)
- ∅100**
- IP54**
- NPN/PNP**
Open collector



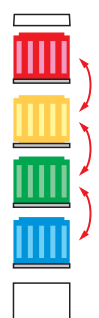
Large Signal Tower featuring enhanced visibility and downward illumination, designed for large machines.



- PATLITE's large prism cut lens: For enhanced downward illumination (cut lens: $\Phi 100\text{mm} \times 60\text{mm}$ high).
- Newly developed triple-reflection system: For enhanced visibility and low power consumption.
- Lighting Pattern: Flashing and continuous.
- FB type: Built-in buzzer with volume up to 85dB at 1m.
- Installation: Direct mount.
- Interchangeable Modules: No re-wiring even after installation.
- Lens: Superior impact and heat resistant polycarbonate resin for superior durability and illumination.
- NPN/PNP compatible: 24V DC type; 100/220V AC compatible with NPN only.
- Available Colors: Red, Amber, Green, Blue and Clear/White.
- Conforms to the CE requirements (for 24V type).

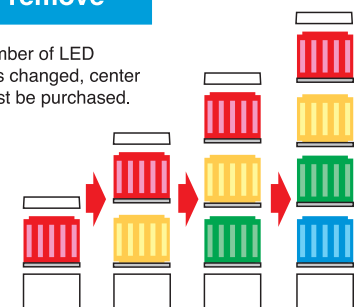
Interchangeable LED modules

- Changeable color sequence: Easy to add / remove up to 4 colored modules even after installation.
- Note: LED modules of the same color within a signal tower will light up simultaneously.



Easy to add and remove

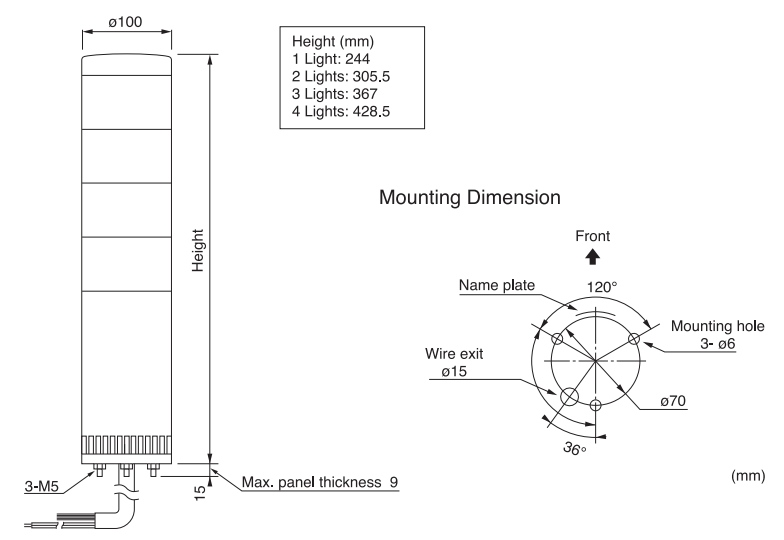
If the number of LED module is changed, center shaft must be purchased.



The wiring remains the same

Each color of LED module corresponds to the lead wire color.

Dimensions



"Super Bright" LED provides highest level of visibility.



Wiring Diagram

Note: See page 173 for wiring diagram

LGE Type

Light System	Model	Rated Voltage	LGE Power Consumption
1 Light	LGE-102 / 102FB	24V AC/DC	2.5W
	LGE-110 / 110FB	100V AC	5.7W
	LGE-120 / 120FB	220V AC	
2 Lights	LGE-202 / 202FB	24V AC/DC	4.5W
	LGE-210 / 210FB	100V AC	8.2W
	LGE-220 / 220FB	220V AC	
3 Lights	LGE-302 / 302FB	24V AC/DC	6.5W
	LGE-310 / 310FB	100V AC	10.7W
	LGE-320 / 320FB	220V AC	
4 Lights	LGE-402 / 402FB	24V AC/DC	8.5W
	LGE-410 / 410FB	100V AC	13.2W
	LGE-420 / 420FB	220V AC	

FB type: approx. 60 flashes per minute.

How to Order (Product)

LGE-402FB-RYGB

Stack 1~4

Rated Voltage
02: 24V AC/DC
10: 100V AC
20: 220V AC

Type
Blank: Continuous light
FB: Continuous or flashing light with audible alarm

Color
R: Red
Y: Amber
G: Green
B: Blue
C: Clear/White
Top to bottom

How to Order (Individual Units)

Light-Module

Light Unit	Color	Rated Voltage	Wattage
LGEM24-R	Red	24V AC/DC	2W
LGEM24-Y	Yellow		
LGEM24-G	Green		
LGEM24-B	Blue		
LGEM24-C	Clear		

Power Unit

Power Unit	Rated Voltage	Type Operation
LGEB-120	120V AC	Continuous
LGEB-24	24V AC/DC	
LGEB-120FB	120V AC	Continuous/Flashing with Audible Alarm option
LGEB-24FB	24V AC/DC	

Shaft Assembly

Part No.	Light- Modules per Base Unit
LGSHAFT-1	1
LGSHAFT-2	2
LGSHAFT-3	3
LGSHAFT-4	4

How to order (Example)

Three LED lights (Red, Yellow, Green) with flashing at input voltage of 120V AC

- 1.Power Unit: LGEB-120FB × 1pce
- 2.Light Module: LGEM-24-R × 1pce
LGEM-24-Y × 1pce
LGEM-24-G × 1pce

Note: LGEB contains a transformer that steps down the input voltage to 24V DC.